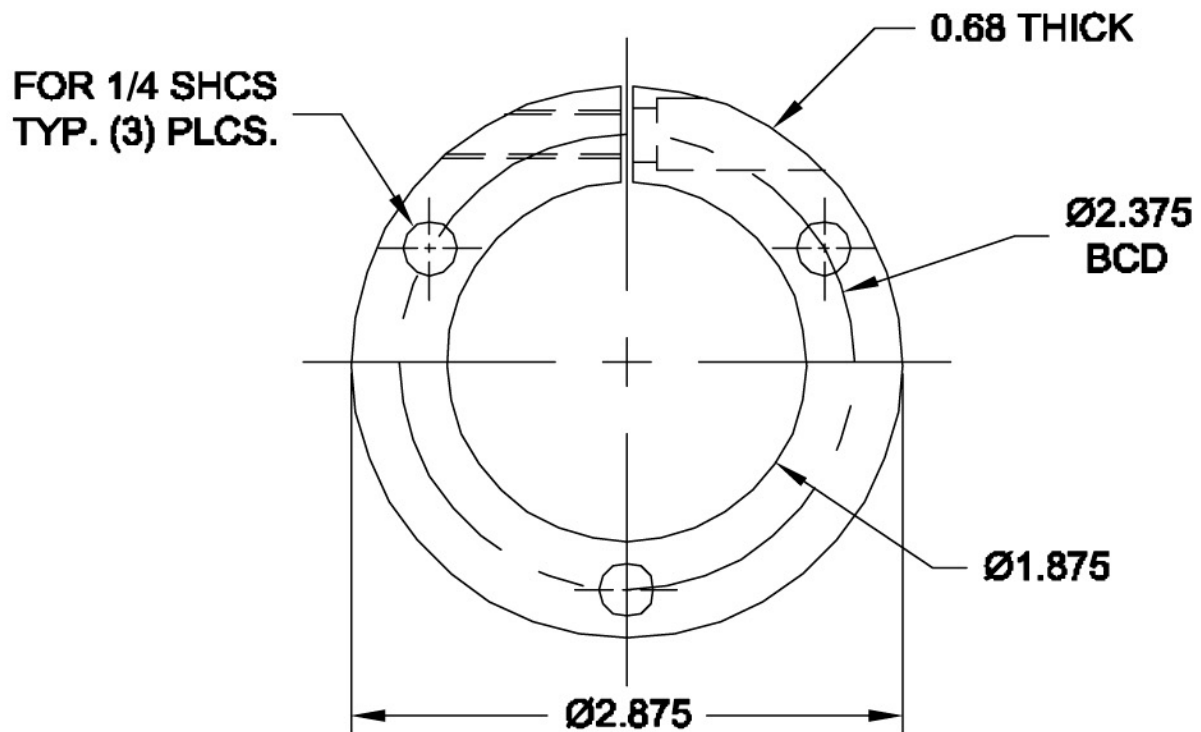


# CYLINDER COLLAR

CAT. # PD438CLR



**EDWARD D. SEGEN & CO, LLC**  
100 Enterprise Drive, Ft. Loramie, OH 45845  
PH: 937.295.2281 FAX: 937.295.3677  
[www.toolingtechgroup.com](http://www.toolingtechgroup.com)

THE INFORMATION CONTAINED HEREIN MAY BE THE SUBJECT OF PENDING OR CONTEMPLATED PATENTS,  
AND IS FURNISHED WITHOUT PREJUDICE TO THE PATENT RIGHTS OF EDWARD D. SEGEN & CO, LLC.